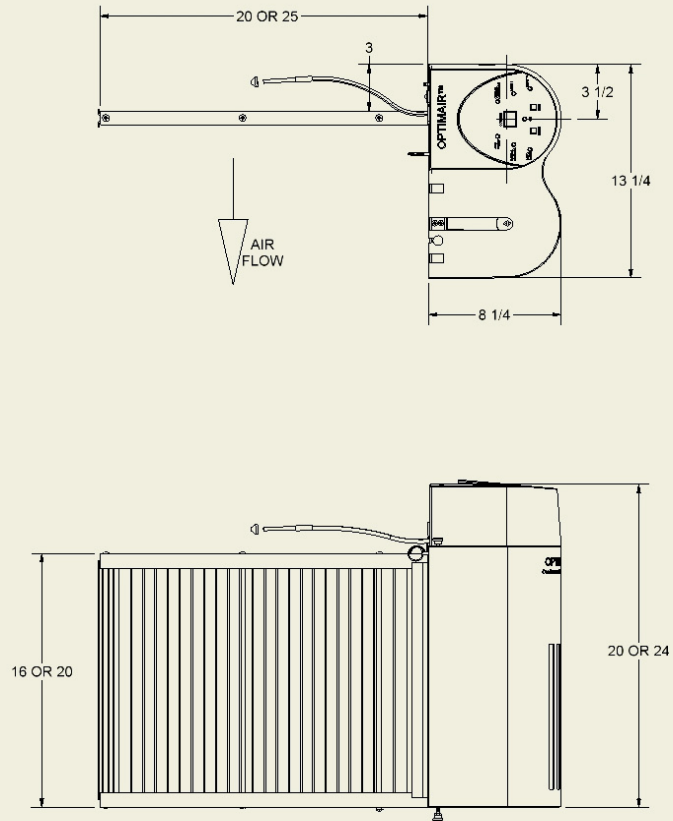
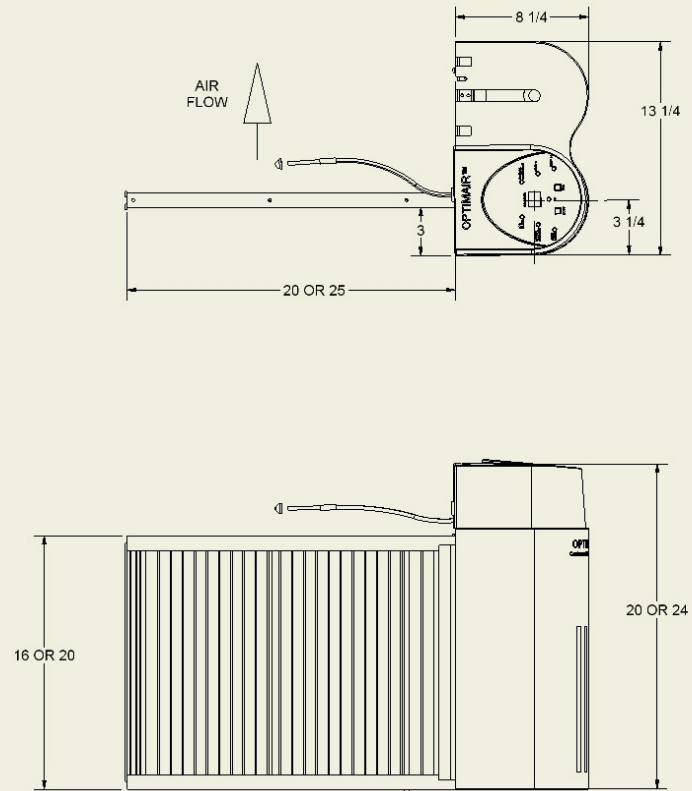


RIGHT HAND RETURN



LEFT HAND RETURN



SPECIFICATIONS:		TOLERANCE (UNLESS OTHERWISE SPECIFIED)		Optimum Clean Air Strongsville, Ohio			
MATERIAL:		.X=.1 .XX=.05 .XXX=.025 ANGLES=L ?		TITLE: OVERALL DIMENSIONS			
CHECKED:	DATE:	BREAK EDGES AND DEBURR		DATE:	SCALE:	DRAWN BY:	SIZE:
APPROVED:	DATE:	DO NOT SCALE DRAWING		3/11/06		CLDS	C
APPROVED:	DATE:			SHEET: 1 OF 1	PART NUMBER:		REV. A